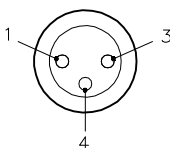
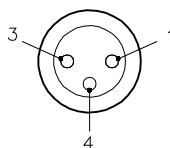
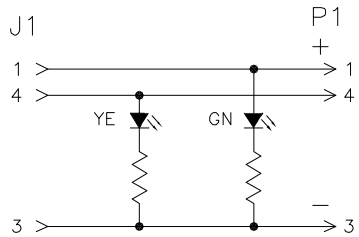
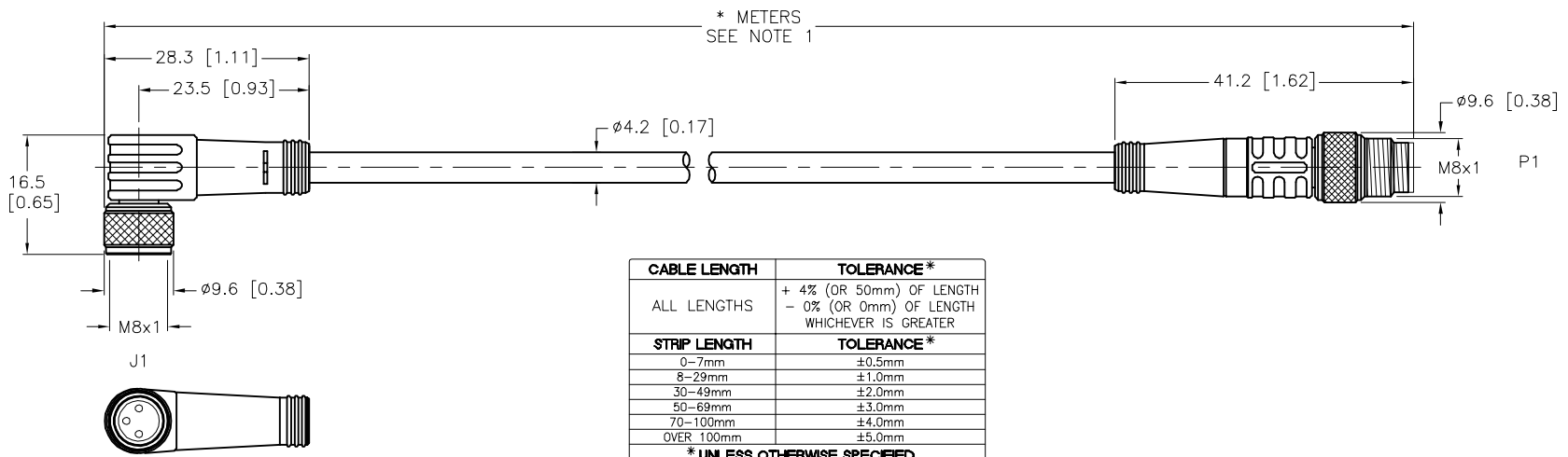
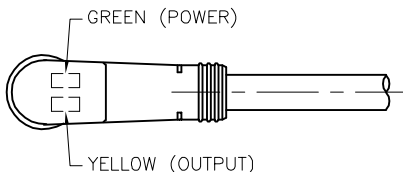


FEMALE END VIEW	MALE END VIEW	WIRING DIAGRAM	SPECIFICATIONS																								
 <p>1 = BROWN 3 = BLUE 4 = BLACK</p>	 <p>1 = BROWN 3 = BLUE 4 = BLACK</p>	 <p>1 = VOLTAGE (+) (GREEN) 3 = COMMON (-) 4 = OUTPUT (YELLOW)</p>	<table border="1"> <tr><td>CONTACT CARRIER MATERIAL</td><td>NYLON OR TPU</td></tr> <tr><td>MOLDED HEAD MATERIAL/COLOR (J1)</td><td>ELASTO 1195A-10/CLEAR</td></tr> <tr><td>MOLDED HEAD MATERIAL/COLOR (P1)</td><td>TPU/YELLOW</td></tr> <tr><td>CONTACT MATERIAL/PLATING</td><td>BRASS/GOLD</td></tr> <tr><td>COUPLING NUT MATERIAL/PLATING</td><td>BRASS/NICKEL</td></tr> <tr><td>RATED CURRENT [A]</td><td>4.0 A</td></tr> <tr><td>RATED VOLTAGE [V]</td><td>10-30 VDC</td></tr> <tr><td>OUTER CABLE JACKET MATERIAL/COLOR</td><td>TPU/BLACK</td></tr> <tr><td>CONDUCTOR INSULATION MATERIAL</td><td>PVC</td></tr> <tr><td>NUMBER OF CONDUCTORS [AWG]</td><td>3x24 AWG</td></tr> <tr><td>TEMPERATURE RANGE</td><td>-40°C to +90°C (-40°F to +194°F)</td></tr> <tr><td>PROTECTION CLASS</td><td>MEETS NEMA 1,3,4,6P AND IEC IP67</td></tr> </table>	CONTACT CARRIER MATERIAL	NYLON OR TPU	MOLDED HEAD MATERIAL/COLOR (J1)	ELASTO 1195A-10/CLEAR	MOLDED HEAD MATERIAL/COLOR (P1)	TPU/YELLOW	CONTACT MATERIAL/PLATING	BRASS/GOLD	COUPLING NUT MATERIAL/PLATING	BRASS/NICKEL	RATED CURRENT [A]	4.0 A	RATED VOLTAGE [V]	10-30 VDC	OUTER CABLE JACKET MATERIAL/COLOR	TPU/BLACK	CONDUCTOR INSULATION MATERIAL	PVC	NUMBER OF CONDUCTORS [AWG]	3x24 AWG	TEMPERATURE RANGE	-40°C to +90°C (-40°F to +194°F)	PROTECTION CLASS	MEETS NEMA 1,3,4,6P AND IEC IP67
CONTACT CARRIER MATERIAL	NYLON OR TPU																										
MOLDED HEAD MATERIAL/COLOR (J1)	ELASTO 1195A-10/CLEAR																										
MOLDED HEAD MATERIAL/COLOR (P1)	TPU/YELLOW																										
CONTACT MATERIAL/PLATING	BRASS/GOLD																										
COUPLING NUT MATERIAL/PLATING	BRASS/NICKEL																										
RATED CURRENT [A]	4.0 A																										
RATED VOLTAGE [V]	10-30 VDC																										
OUTER CABLE JACKET MATERIAL/COLOR	TPU/BLACK																										
CONDUCTOR INSULATION MATERIAL	PVC																										
NUMBER OF CONDUCTORS [AWG]	3x24 AWG																										
TEMPERATURE RANGE	-40°C to +90°C (-40°F to +194°F)																										
PROTECTION CLASS	MEETS NEMA 1,3,4,6P AND IEC IP67																										



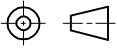
CABLE LENGTH	TOLERANCE*
ALL LENGTHS	+ 4% (OR 50mm) OF LENGTH - 0% (OR 0mm) OF LENGTH WHICHEVER IS GREATER
STRIP LENGTH	TOLERANCE*
0-7mm	±0.5mm
8-29mm	±1.0mm
30-49mm	±2.0mm
50-69mm	±3.0mm
70-100mm	±4.0mm
OVER 100mm	±5.0mm

\* UNLESS OTHERWISE SPECIFIED

SOURCE DRAWING - FOR REFERENCE ONLY

NOTES:

- "\*" INDICATES CABLE LENGTH IN METERS. CONTACT TURCK TO ORDER SPECIFIC LENGTHS.
- "/S90" DESIGNATES THERMOPLASTIC POLYURETHANE (TPU) CABLE.

RELATED DOCUMENTS	3RD ANGLE PROJECTION	THIS DRAWING IS CONFIDENTIAL AND THE PROPERTY OF TURCK INC. USE OF THIS DOCUMENT WITHOUT WRITTEN PERMISSION IS PROHIBITED.		3000 CAMPUS DRIVE MINNEAPOLIS, MN 55441 1-800-544-7769 (763) 553-7300 (763) 553-0708 fax www.turck.us	
1.		DRFT	RWC	DATE	12/06/06
2.		APVD		SCALE	1=1.0
3.	ALL DIMENSIONS DISPLAYED ON THIS DRAWING ARE FOR REFERENCE ONLY	UNIT OF MEASUREMENT		DESCRIPTION	
4.		MILLIMETER [ INCH ]		PKW 3M-P7X2-*--PSG 3M/S90	
MATERIAL	CONTACT TURCK FOR MORE INFORMATION	IDENTIFICATION NO.		REV	
SEE SPECIFICATIONS				J	
FINISH	DO NOT SCALE THIS DRAWING	FILE: 777008350		SHEET 1 OF 1	
SEE SPECIFICATIONS					

J	UPDATE VOLTAGE RATING SPECIFICATIONS	KMY	05/08/14	45639
REV	DESCRIPTION	BY	DATE	ECO NO.